



# Mobile Medical Cabinet Systems

By OTE International



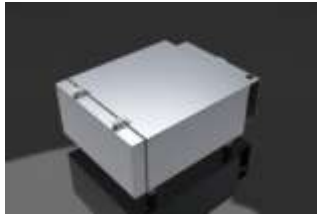
# Mobile Medical Cabinet Systems

## Product Overview

- ✓ 1 All OTE units contain no CFC's or harmful contaminants and require only standard tools for installation.
- ✓ 2 Units are installable in a variety of configurations
- ✓ 3 Functional in mobile, temporary or stationary environments
- ✓ 4 Reliable, Robust and Low Maintenance Solid-State technology
- ✓ 5 Snap locks for *fast* and consistent access to contents
- ✓ 6 Padlock, key, keypad or other methods of locking for security of narcotics
- ✓ 7 High tech insulation and thermoelectric proportional controlled methodology
- ✓ 8 Manufactured in U.S.A.

# Mobile Medical Cabinet Systems

## Design Features



Doors are quick action double latches for fast access. Temperature is preset so products are plug and play with little to no maintenance. Not only reducing operating costs but extending product life.



The designs are compact and self contained without the need to install bulky compressor units or piping making it easy to mount or transfer to other vehicles or position in a variety orientations. The cooling and/or heating unit is located on the rear and are completely self contained without gases or liquids to leak nor does it produce any toxic emissions .



Medications, Drugs or Saline can be stored with their administrable temperature automatically maintained . All units can be mounted vertically or horizontally.

# Mobile Medical Cabinet Systems

## Technical overview

### Electrical

1

Units operate at 12 or 24 VDC. Peak power consumption is dependent upon model and operating environment but typical power consumption at nominal ambient temperatures (100F to 30F) is 50-80% of peak. Units can be equipped with low voltage shutdown and when current is restored they automatically restart.

### Temperature Control

2

Cooling and/or Heating is accomplished using high efficiency thermoelectric technology. The temperature control boards use a proportional control program to maintain minimal temperature variation inside the units. Internal temperature is preset but custom temperature settings are available. Insulation is state of the art vacuum and PU panels that provide a barrier of maximum efficiency from external temperatures.

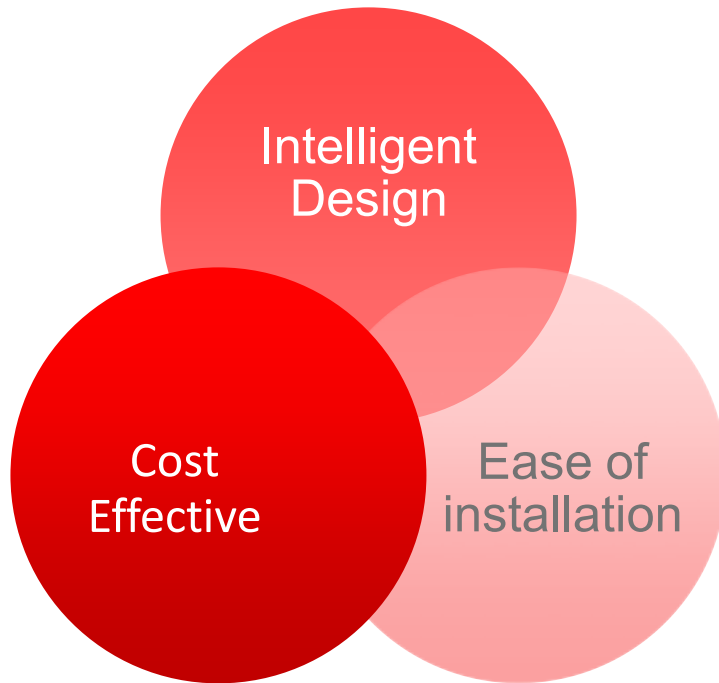
### Design

3

Products contain no CFC's nor harmful contaminants requiring only standard tools for installation. Unit is field serviceable with the field service guide. Mount location does require non-restricted air movement to function properly. Unit scan be configured to operate on 120/220 VAC with optional DC power conversion. OTE thermoelectric cooling/heating assemblies are designed specifically for these units. Our TE engines are designed and manufactured to work day in and day out in the toughest conditions.

# Mobile Medical Cabinet Systems

## Solution Driven



1. Utilitarian designs allows for multiple access and a multitude of mounting configurations. Locking options designed to meet the needs EMT's in the field.
2. The compact designs requires no specialized training for installation nor scheduled maintenance. Units keep medication at mandated temperatures to meet regulations.
3. Units are cost effective with a price point significantly lower than more complicated competitive products available today.



# Mobile Medical Cabinet Systems

## Photo Overview

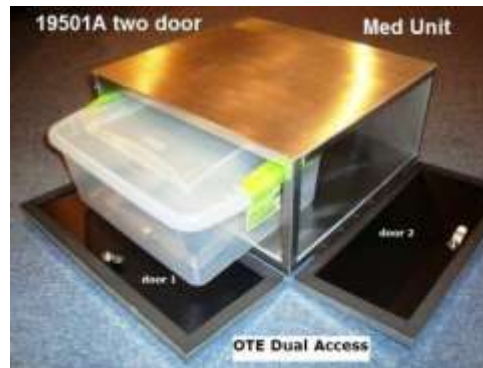
Med-Case  
In-case medications storage  
Model 19502A



Large Med  
2.2 cubic feet of  
Storage Model  
19506A



Compact  
Medications Storage  
Model 19505A



Med-Drawer  
2-door access cabinet  
Model 19501A



Medical Bag Storage  
In-bag medications storage  
Model 19503A



# Mobile Medical Drawer 19501A

## Mounting details

### Height

1

Overall height is 8.30 inches

### Width

2

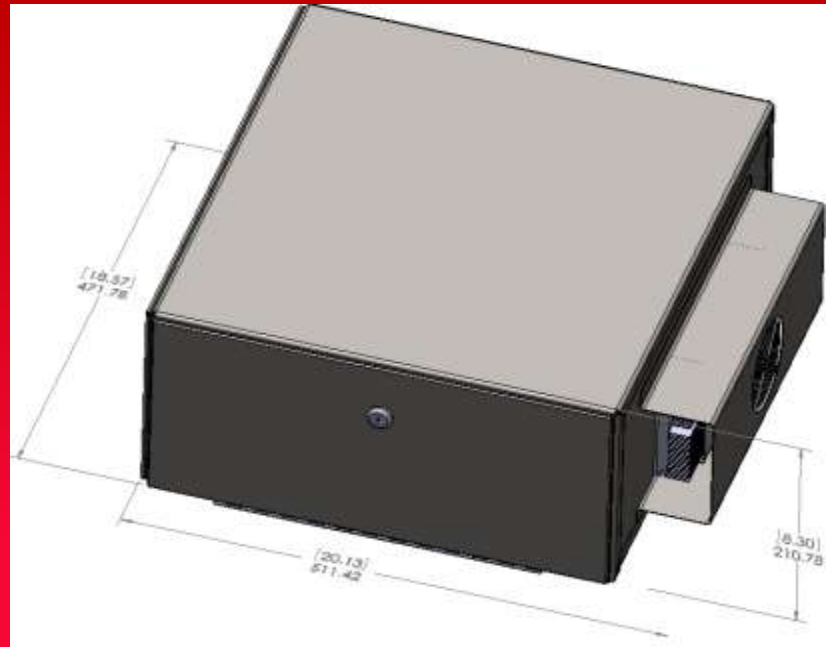
Overall width is 18.57 inches

### Depth

3

Overall depth is 20.13 inches

The unit can be floor mounted or rail mounted.



# Temperature Controlled Case Storage 19502A

## Mounting details

### Height

1

Overall height is 26.1 inches

### Width

2

Overall width is 8.94 inches

### Depth

3

Overall depth is 17.53 inches

The unit can be floor mounted or rail mounted.





# Mobile Medical Drawer 19503A

## Mounting details

### Height

1

Overall height is 8.30 inches

### Width

2

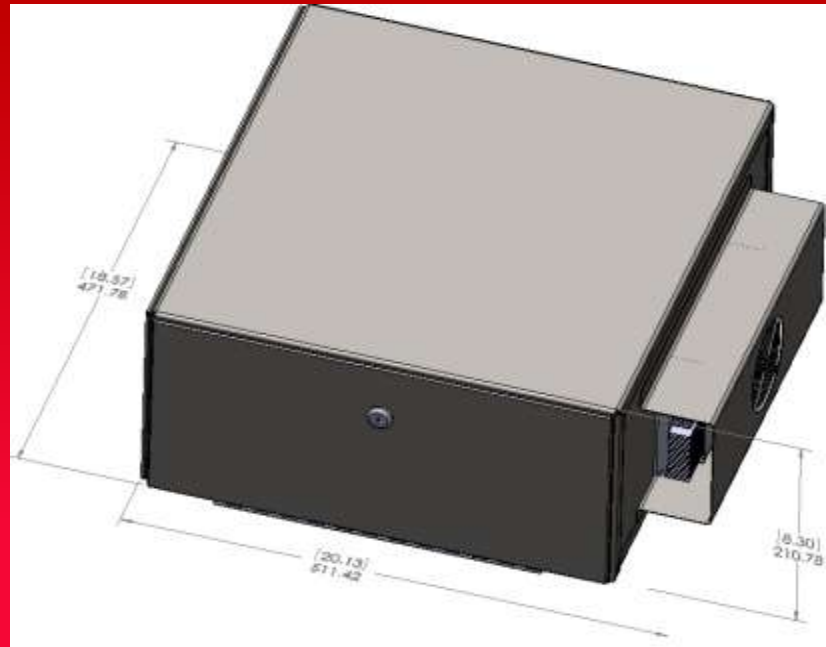
Overall width is 18.57 inches

### Depth

3

Overall depth is 20.13 inches

The unit can be floor mounted or rail mounted.



# Compact Mobile Saline Drawer 19504A

## Mounting details

### Height

1

Overall height is 7.07 inches

### Width

2

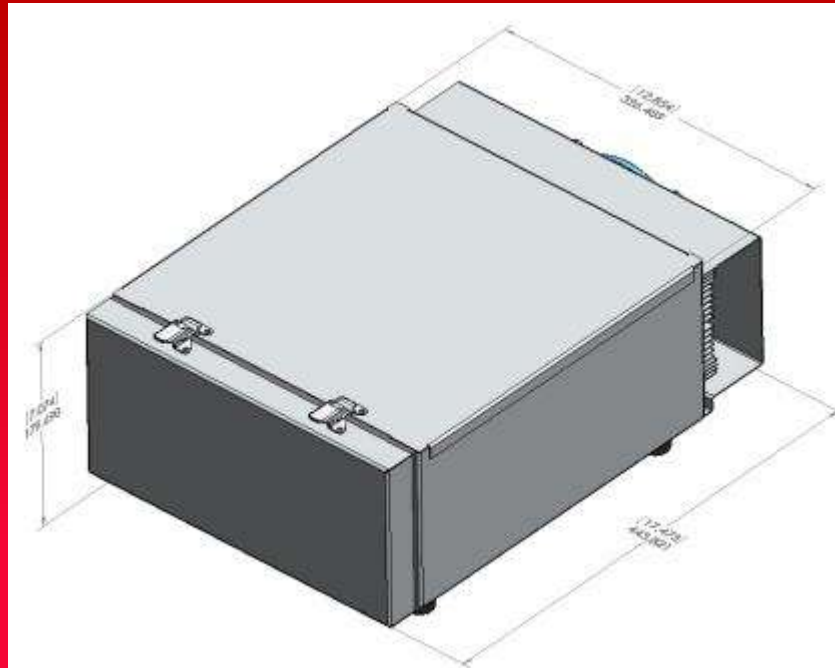
Overall width is 12.85 inches

### Depth

3

Overall depth is 17.47 inches

The unit can be floor mounted or rail mounted.



# Compact Mobile Medications Cabinet 19505A

## Mounting details

### Height

1 Overall height is 8.961 inches

### Width

2 Overall width is 13.09 inches

### Depth

3 Overall depth is 18.026 inches

The unit can be floor mounted or rail mounted.



# Mobile Medical Drawer 19506A

## Mounting details

### Height

1

Overall height is 22.7 inches

### Width

2

Overall width is 23.0 inches

### Depth

3

Overall depth is 23.5 inches

The unit is easily rail mounted.



# THANK YOU!

[www.oteinternational.com](http://www.oteinternational.com)

Contact: Mark Kitchens

Email: [mkitchens@oteinternational.com](mailto:mkitchens@oteinternational.com)

Phone: 001-903-677-1661

